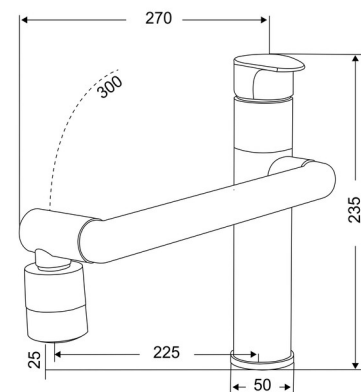


Model No: MKF-30423 Kitchen Faucet

Specification Sheet

PRODUCT SPECIFICATIONS

Type of Faucet:	Multi Angle Rotating Kitchen Faucet
Mounting Type:	Deck Mount
Special Features:	<ul style="list-style-type: none">• Multi Direction Rotating Spout• SUS 304 Stainless Steel Construction• Easy Clean Nozzles• Spray and Stream Mode• ABS Sprayer• 35mm Ceramic Cartridge
Spray Functions:	2 Modes- Spray and Stream
Deck Clearance:	25mm-300mm
Finish:	Stainless Steel Finish
Spout Reach:	225mm
Faucet Base:	50mm
Hole Drillings:	One
Material:	SUS 304 Stainless Steel
Valve Type:	Ceramic Disc
Hose Length:	60CM
Flow Rate:	6-8L/min @ 4 Bar
Faucet Hole Size (min):	35mm
Max Countertop Thickness:	40mm
Spout Swing Rotation:	360°
Spout Type:	Multi Angle Rotating Spout
Overall Height:	235mm
Overall Width:	270mm



Note:

- Manual measurement of various sizes has a certain error. Please refer to the actual product!
- The product may be slightly different from the picture due to the display of lights and displays.

For Warranty information and terms and conditions about this product, please [click here](#) or visit www.morzze.com